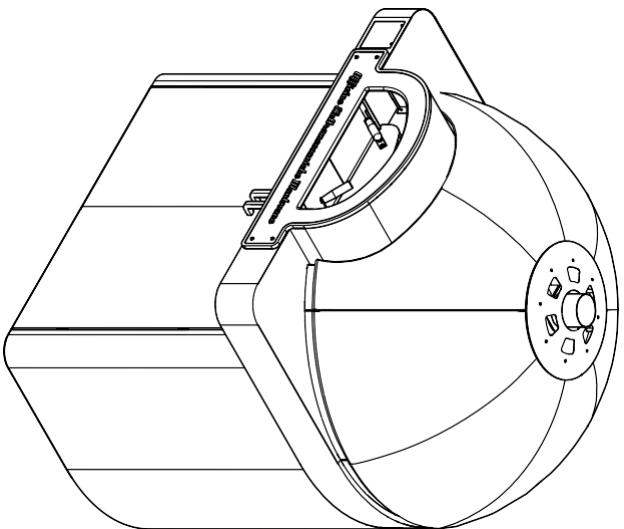


**RICAMBI**

*SPARE PARTS - PIECES DETACHEES
ERSATZTEILE - REPUESTOS*



		ALLI GROUP SRL A SOCIO UNICO Viale Lombardia, 33 46012 BOZZOLO (MN) ITALY	
	TYPE <input type="text"/>	V <input type="text"/>	HZ <input type="text"/>
Made in ITALY	KW <input type="text"/>	A <input type="text"/>	MAX
COD. <input type="text"/>	NR. <input type="text"/>	<input type="checkbox"/>	

Modello
 Model
 Modèle
 Modell
 Modelo
 Modelo

n° di matricola
 Serial No.
 N° de matricule
 Kennnummer
 N° matricula
 N° de matricula

n° di posizione
 Part No.
 N° de position
 Position Nr.
 N° referência
 N° de posição

Codice
 Code
 Code
 Code
 Código
 Código

Descrizione
 Description
 Désignation
 Beschreibung
 Descrição

n° Figura
 Figure No.
 N° de figure
 Abb. Nr.
 N° Figura
 N° Figura

FIG.3 Struttura forno
 Ovens top - Structure du four
 Ofentstruktur - Estrutura do forno

Pos.	Cod.	Q.tà	ITA	GB	F	D	E	P	NOTE
1	E3PC010	1	Coperchio	Cover	Couvercle	Deckel	Tapa	Тарелка	
1	E3PD710	1	Coperchio	Cover	Couvercle	Deckel	Tapa	Тарелка	
2	E3PO811	2	Fianco	Panel	Tableau	Tafel	Panel	Литер	
2	E3PT211	2	Fianco	Panel	Tableau	Tafel	Panel	Литер	
3	E3FT211	1	Schienale	Back	Dossier	Rueckenlehne	Respaldo	Подлокотник	
3	E3PO811	1	Schienale	Back	Dossier	Rueckenlehne	Respaldo	Подлокотник	
4	E3PT410	1	Cappa	Hood	Hotte	Kappe	Campana	Капюшон	
4	E3PT110	1	Cappa	Hood	Hotte	Kappe	Campana	Капюшон	
5	E3F1510	1	Schivolo	Chute	Goulotte	Rutsche	Rampa	Рампа	
5	E3PT210	1	Schivolo	Chute	Goulotte	Rutsche	Rampa	Рампа	
6	E3PB400	1	Frontale	Front	Frontal	Vorderteil	Parte frontal	Фронт	
E3PB510 1 Frontale digitale Front digital Panneau de Front digital Digital front digital Frontal digital									
8 AL33200 Schienale									
AL33200 2 Pietra Stone Pierre Stein Piedra Плита									
AL34100 2 Pietra Stone Pierre Stein Piedra Плита									
AL34200 2 Pietra Stone Pierre Stein Piedra Плита									
MD00800 1 Contenimento lampada Lamp housing Espace prévu pour la lampe Contención lámpara									
E3F2110 4 Molletta Gro Epingle Klammer Pinza Чаша-держатель									
E3E1510 1 Camino elettrico Outer chimney system Auserschornstein Außenrohrsystem									
WCE3710 1 Tappo inferiore Lower chimney cover Couverture inférieure de la cheminée Schornsteindeckel									
E3K0200 1 Asta camino Chimney's rod Type de la cheminée Schornsteinstab									
E3K1000 1 Asta camino Chimney's rod Type de la cheminée Schornsteinstab									
AC13600 1 Manopola Knob Poignée Handgriff Peila									

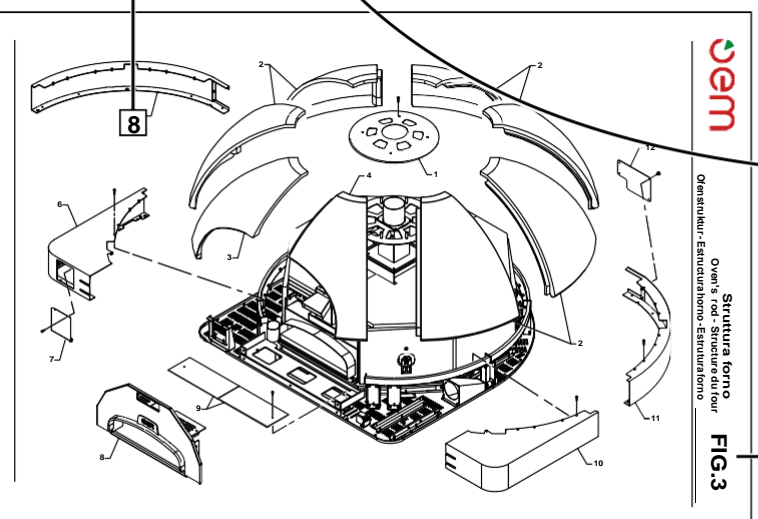


FIG.1

Supporto ribaltabile
Tiltable support - Support plier
Faltunterstützung - Soporte abatible



Pos.	Cod.	Q.tà	ITA	GB	F	D	E	NOTE
1	OM12.00884	1	Supporto	Support	Support	Halterung	Soporte	
2	OM12.00882	1	Supporto	Support	Support	Halterung	Soporte	
3	OM12.00881	4	Gamba	Leg	Jambe	Bein	Pata	
4	OM54.00411	3	Cerniera	Hinge	Charniere	Scharnier	Bisagra	
5	OM10.03944	1	Piastra	Shelf	Etagère	Regal	Estante	
6	OMAC100R0	4	Kit ruota	Wheels kit	Kit roues	Kit Räder	Kit ruedas	
7	OM54.00247	2	Piede	Foot	Pied	Fuß	Pie	

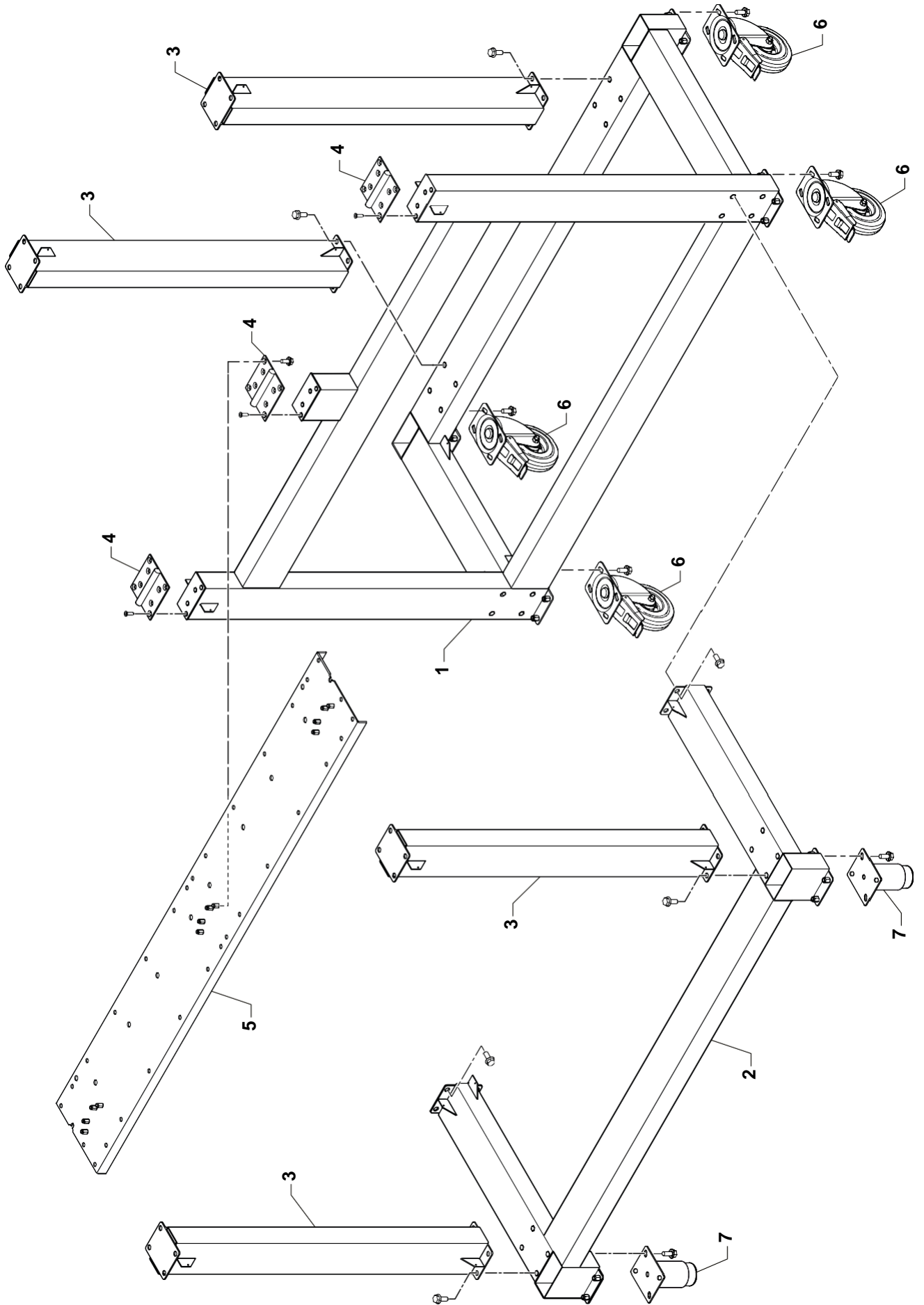
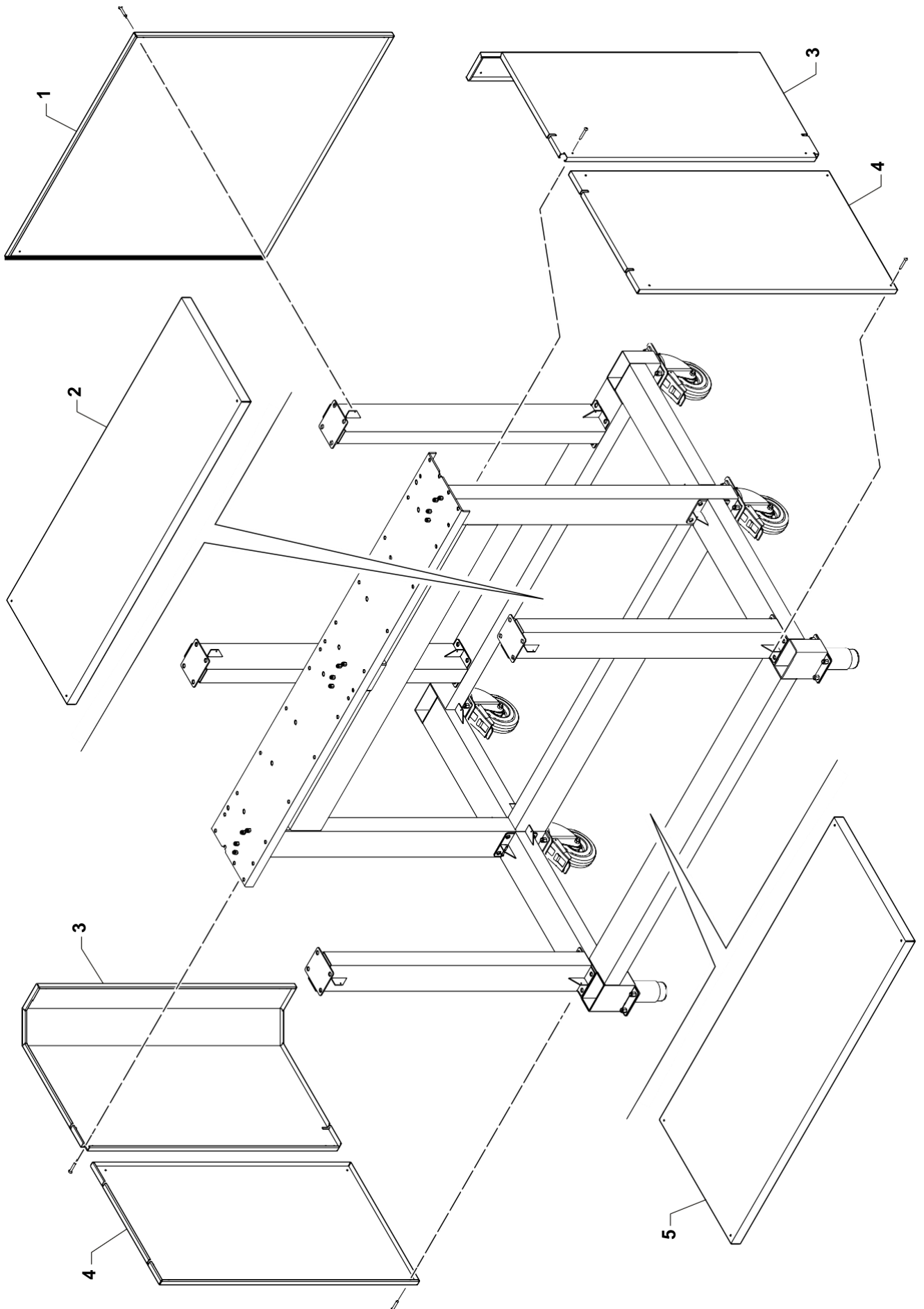


FIG.2

Supporto ribaltabile
Titable support - Support plier
Faltunterstützung - Soporte abatible



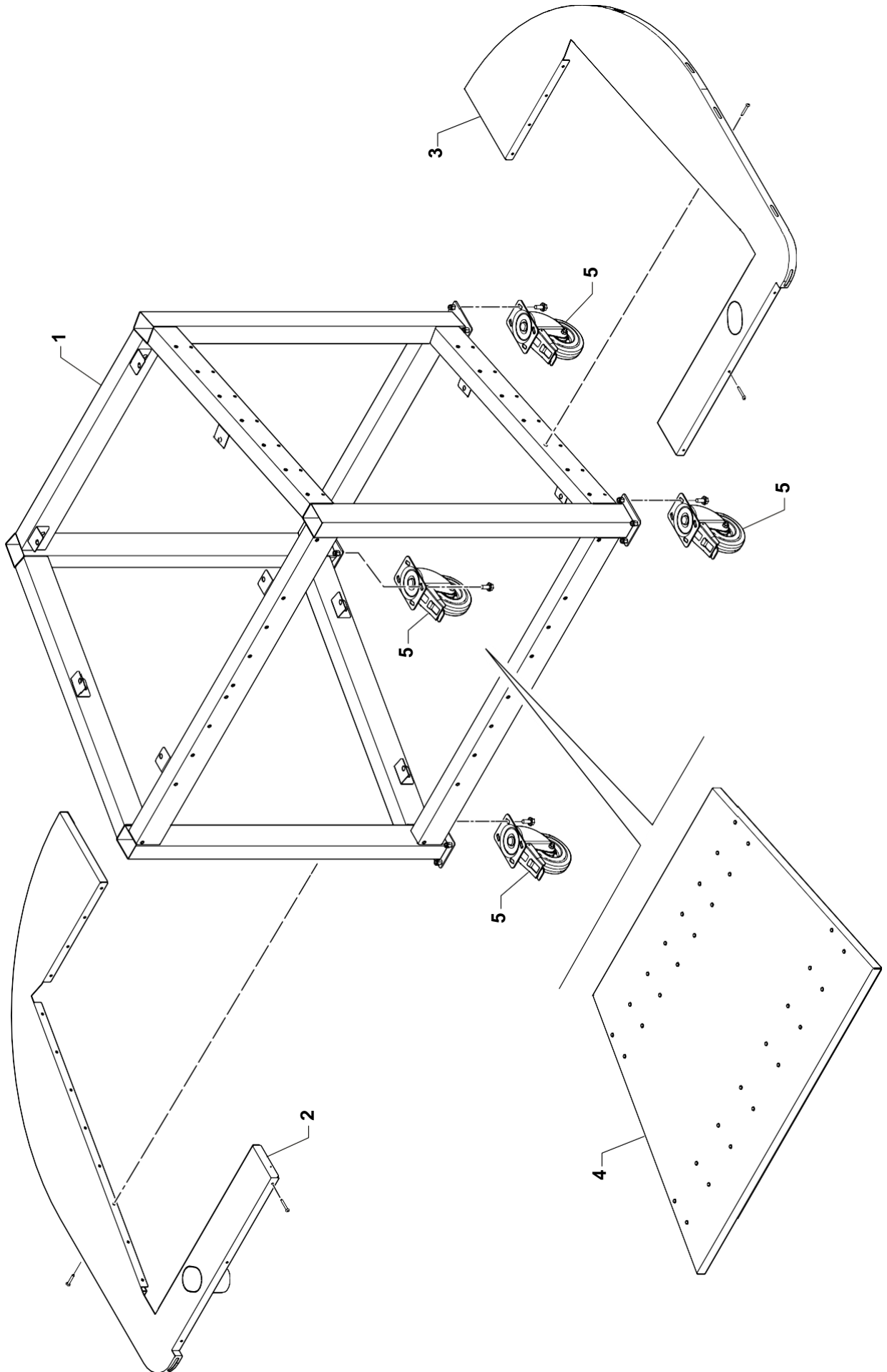
Pos.	Cod.	Q.tà	ITA	GB	F	D	E	NOTE
1	OM12.00921	1	Schienale	Back	Dossier	Rueckenlehne	Respaldo	
2	OM10.04003	1	Fondo anteriore	Front bottom	Fond avant	Boden Vordere	Fondo delantero	
3	OM12.00920	2	Fianco posteriore	Rear panel	Tableau arriere	Tafel Hintere	Panel trasero	
4	OM12.00899	2	Fianco anteriore	Front panel	Tableau avant	Tafel Vordere	Panel delantero	
5	OM10.04004	1	Fondo posteriore	Rear bottom	Fond arriere	Boden Hintere	Fondo trasero	



Pos.	Cod.	Q.tà	ITA	GB	F	D	E	NOTE
1	OM12.00866	1	Supporto	Support	Support	Halterung	Soporte	
2	OM12.00923	1	Pannello destro	Right front	Frontal droit	Teil Rechts	Frontal derecho	
3	OM12.00922	1	Pannello sinistro	Left front	Frontal gauche	Teil Links	Frontal izquierdo	
4	OM10.03785	1	Fondo	Bottom	Fond	Boden	Fondo	
5	OMAC100R0	1	Kit ruota	Wheels kit	Kit roues	Kit Räder	Kit ruedas	

FIG.3

Supporto
Supports - Supports
Stützen - Soportes



Pos.	Cod.	Q.tà	ITA	GB	F	D	E	NOTE
1	OM12.00922	2	Pannello sinistro	Left front	Frontal gauche	Teil Links	Frontal izquierdo	
2	OM12.00923	2	Pannello destro	Right front	Frontal droit	Teil Rechts	Frontal derecho	
3	OM12.00863	2	Fianco	Panel	Tableau	Tafel	Panel	
4	OM10.04008	1	Finta posteriore	Back	Dossier	Rueckenlehne	Respaldo	
5	OM12.00864	2	Profilo inferiore	Lower profile	Profil inférieur	Profil Unterer	Perfil inferior	
6	OM54.00182	8	Magnete	Magnet	Aimant	Magnet	Iman	
7	OM12.00860	1	Frontale	Front	Frontal	Teil	Frontal	
8	OM60.00915	1	Porta sinistra	Left door	Porte gauche	Tür Links	Porta izquierda	
9	OM60.00916	1	Porta destra	Right door	Porte droit	Tür Rechts	Porta derecha	
10	OM12.00858	1	Maniglia sinistra	Left handle	Poignee gauche	Handgriff Links	Manecilla izquierda	
11	OM12.00861	1	Maniglia destra	Right handle	Poignee droit	Handgriff Rechts	Manecilla derecha	

FIG.4

Supporto
Supports - Supports
Stützen - Soportes

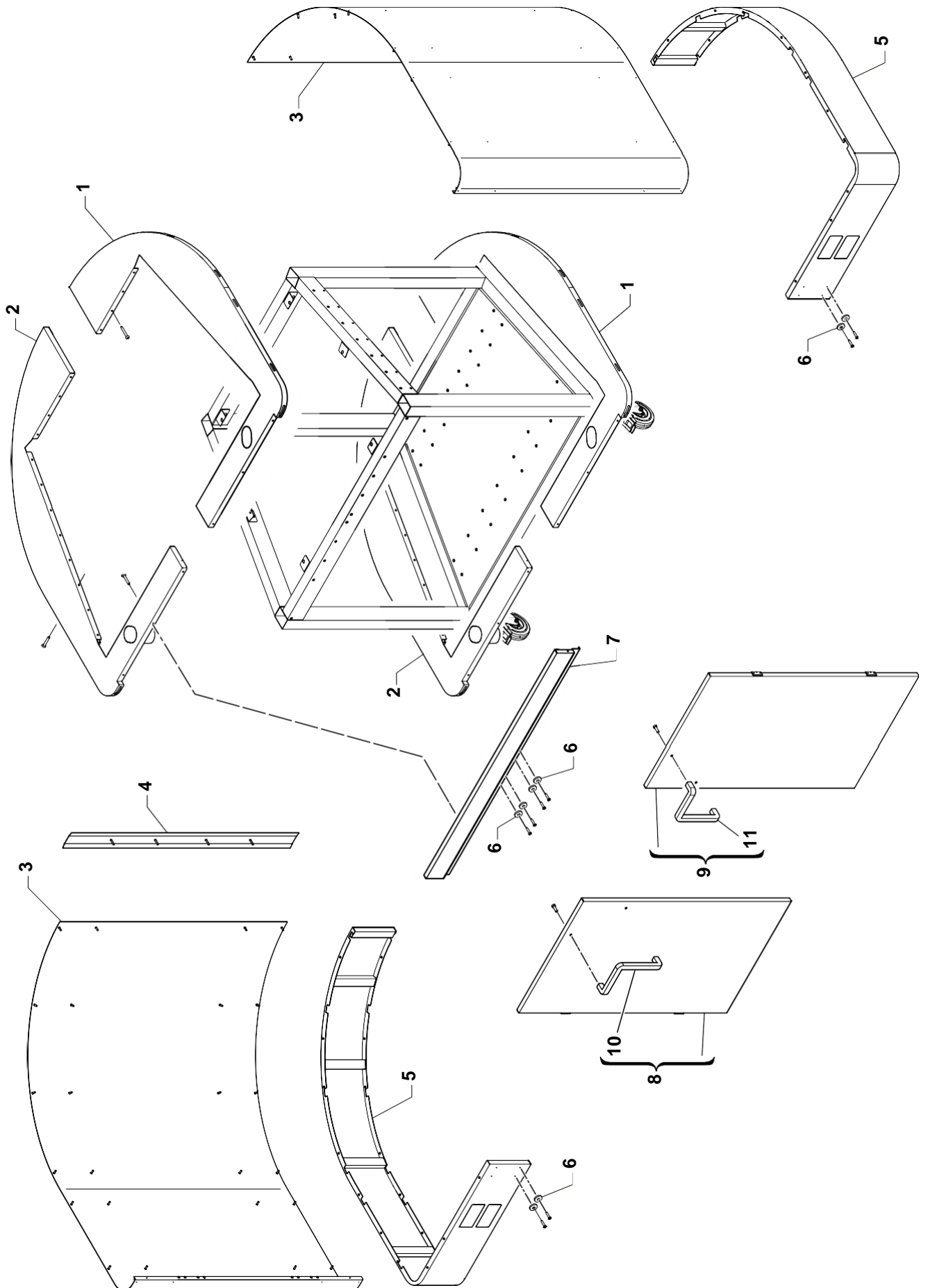
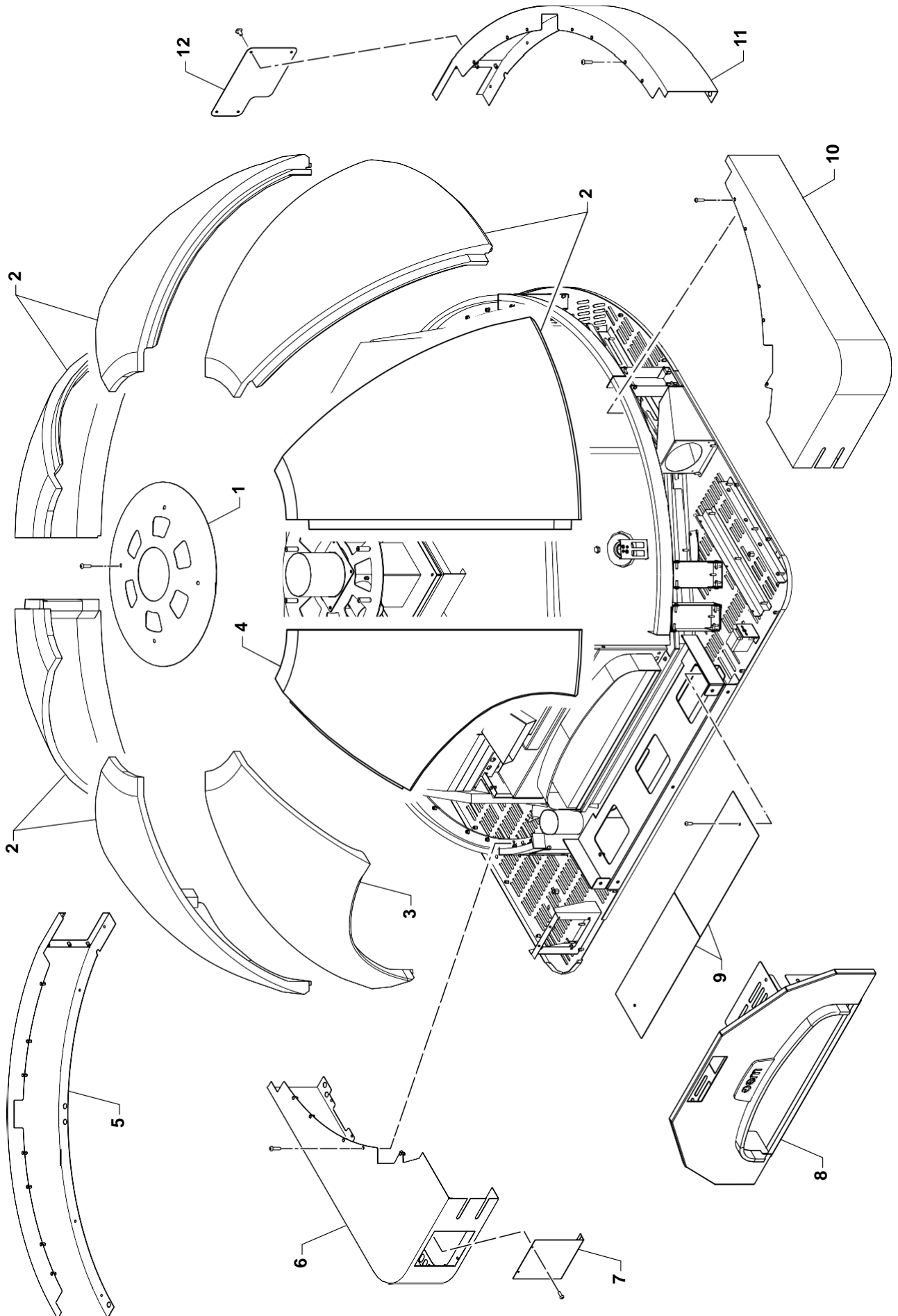


FIG.5

Struttura forno
Oven's rod - Structure du four
Ofenstruktur - Estructura horno



Pos.	Cod.	Q.tà	ITA	GB	F	D	E	NOTE
1	OM12.00822	1	Cappello	Cap	Couverture	Deckel	Cobertura	
2	OM42.00049	6	Settore intero	Whole sector	Secteur plein	Voll Rastenplatte	Sección entera	
3	OM42.00052	1	Settore	Sector	Secteur	Rastenplatte	Sección	SX
4	OM42.00051	1	Settore	Sector	Secteur	Rastenplatte	Sección	DX
5	OM12.00917	1	Fianco posteriore	Rear panel	Tableau arriere	Tafel Hintere	Panel trasero	SX
6	OM12.00914	1	Fianco	Panel	Tableau	Tafel	Panel	SX
7	OM12.00915	1	Porta scorrevole	Sliding door	Porte glissant	Vorwärstür	Puerta corrediza	
8	OM12.00830	1	Bocca	Oven hole	Bouche	Öffnungsreduktion	Boca	
9	OM10.03985	2	Piastra	Plate	Plaque	Platte	Placa	
10	OM12.00913	1	Fianco	Panel	Tableau	Tafel	Panel	DX
11	OM12.00916	1	Fianco posteriore	Rear panel	Tableau arriere	Tafel Hintere	Panel trasero	DX
12	OM12.00918	1	Coperchio	Cover	Couvercle	Deckel	Tapa	



Pos.	Cod.	Q.tà	ITA	GB	F	D	E	NOTE
1	OM60.00964	1	Porta completa	Door assy	Porte complete	Komplette Tür	Puerta completa	
2	OM12.00894	2	Staffa maniglia	Bracket	Etrier	Halter	Soporte	
3	OMAC06600	2	Maniglia	Handle	Poignee	Handgriff	Manecilla	
4	OM10.03657	2	Tamponamento	Closure	Bouchage	Ausfachen	Tabique	
5	OM10.03655	1	Griglia	Grille	Grille	Kuehlergitter	Calandra	
6	OM10.03656	1	Raccoglibriciole	Crumbs gathering	Ramasse-miettes	Krumensammler	Recogedor de migas	
7	OM12.00820	1	Frontale cupola	Front	Frontal	Vorderteil	Frontal	
8	OM12.00824	1	Cupola	Dome	Coupole	Kuppel	Cúpula	

FIG.6

Porta
Door - Porte
Tür - Puerta

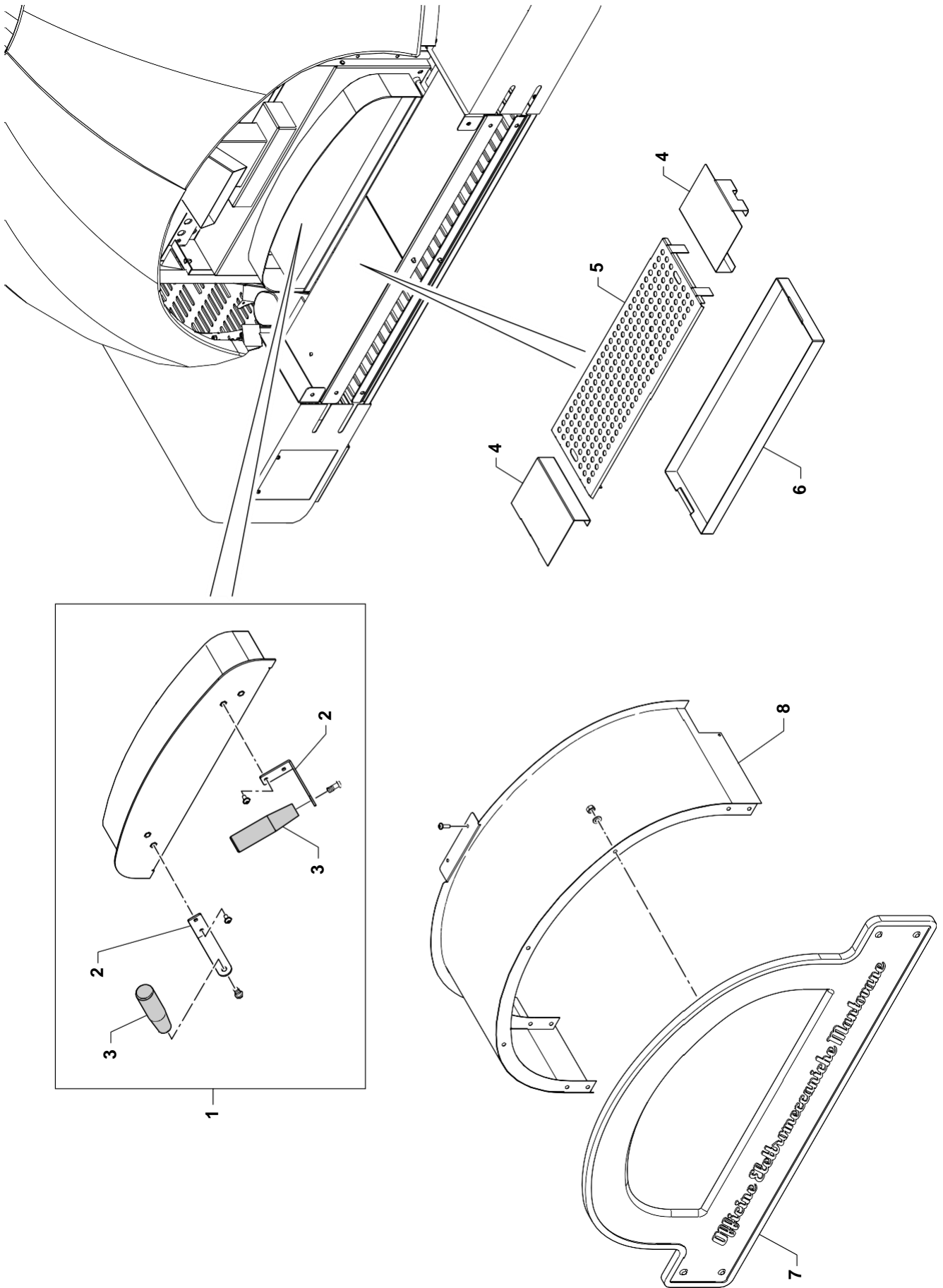


FIG.7**Piano refrattario**
Refractory surface - Plancher réfractaire
Feuerfester Boden - Plano refractario

Pos.	Cod.	Q.tà	ITA	GB	F	D	E	NOTE
1	OM51.00056	1	Pietra cielo	Ceiling stone	Pierre voute	Stein Decke	Piedra superior	SX
2	OM51.00055	1	Pietra cielo	Ceiling stone	Pierre voute	Stein Decke	Piedra superior	DX
3	OM51.00048	5	Pietra laterale	Side stone	Pierre latéral	Stein Seiten	Piedra lateral	
4	OM51.00053	1	Pietra laterale	Side stone	Pierre latéral	Stein Seiten	Piedra lateral	SX
5	OM51.00057	1	Pietra laterale	Side stone	Pierre latéral	Stein Seiten	Piedra lateral	DX
6	OM51.00051	2	Pietra centrale	Middle stone	Pierre central	Stein Mittlere	Piedra centrale	
7	OM51.00058	1	Pietra laterale	Side stone	Pierre latéral	Stein Seiten	Piedra lateral	SX
8	OM51.00052	1	Pietra laterale	Side stone	Pierre latéral	Stein Seiten	Piedra lateral	DX
9	OM51.00049	2	Pietra forata	Abroach stone	Pierre foré	Stein Bohren	Piedra perforada	
10	OM51.00050	1	Pietra	Stone	Pierre	Stein	Piedra	

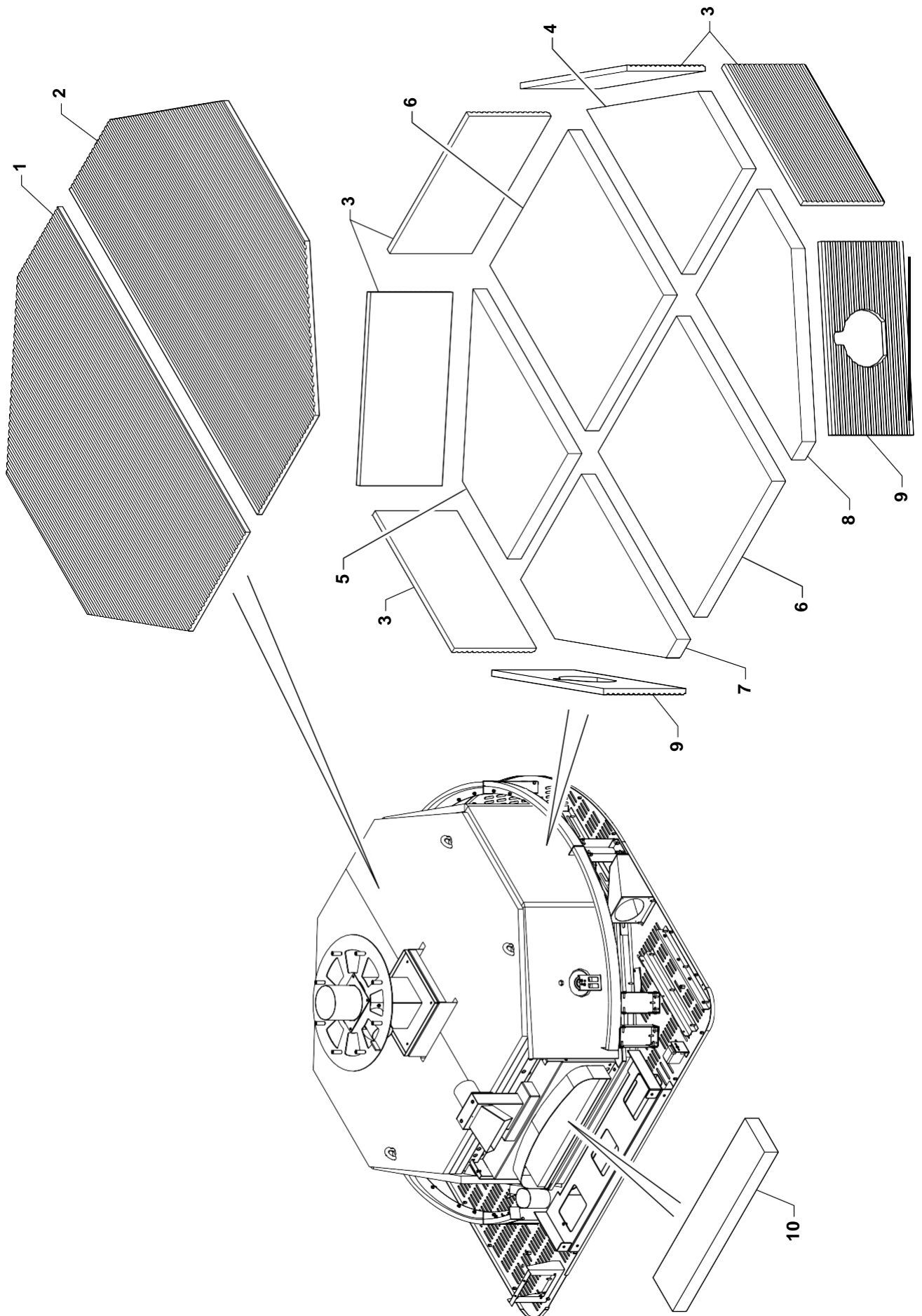
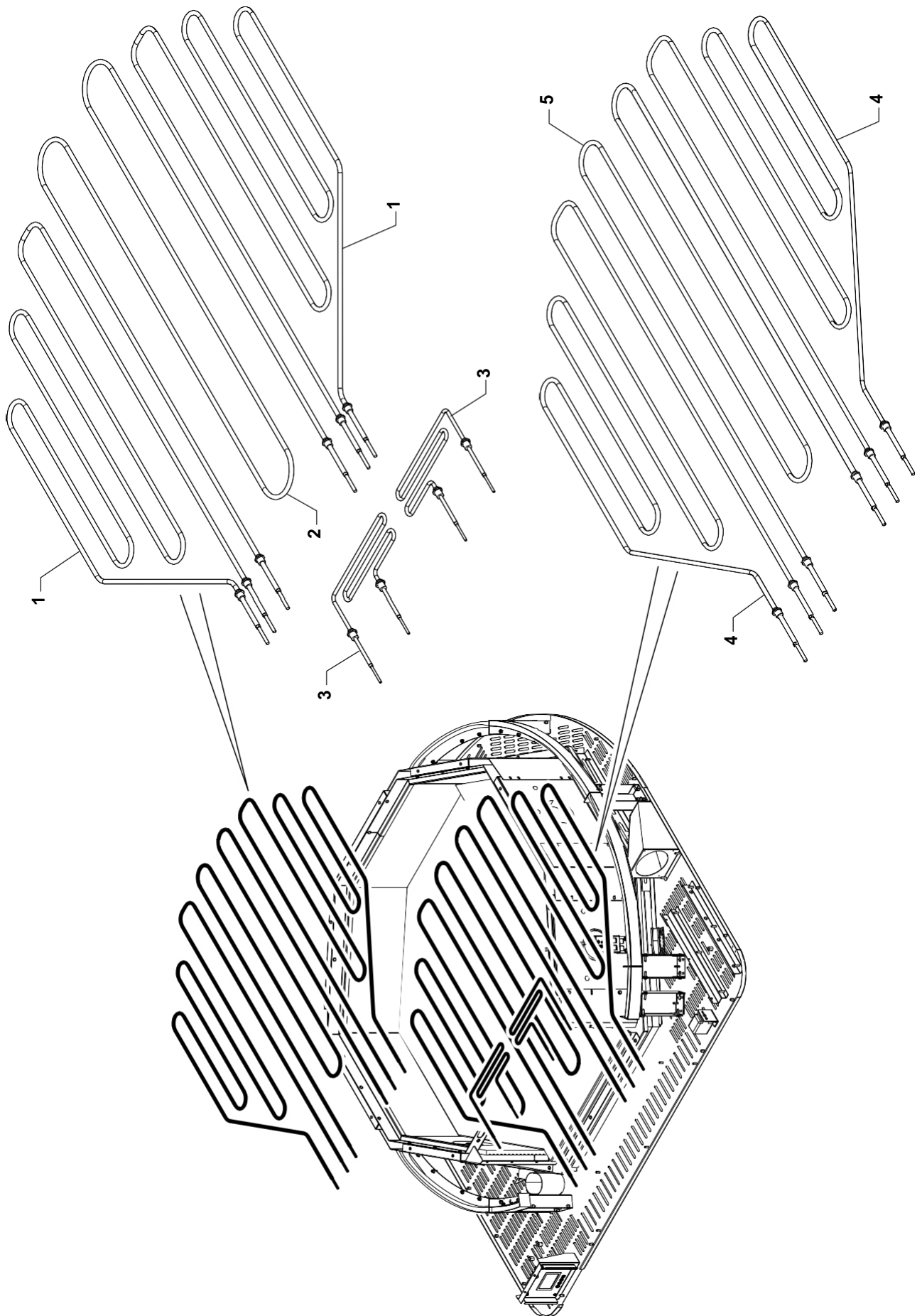


FIG.8

Resistenza forno
Oven resistance - Résistance du four
Ofenwiderstand - Resistencia horno



Pos.	Cod.	Q.tà	ITA	GB	F	D	E	NOTE
1	OM20.00107	2	Resistenza cielo	Resistor	Resistance	Widerstand	Resistencia	kW 3
2	OM20.00108	1	Resistenza cielo	Resistor	Resistance	Widerstand	Resistencia	kW 3
3	OM20.00109	2	Resistenza bocca	Resistor	Resistance	Widerstand	Resistencia	kW 0,58
4	OM20.00110	2	Resistenza platea	Resistor	Resistance	Widerstand	Resistencia	kW 2
5	OM20.00111	1	Resistenza platea	Resistor	Resistance	Widerstand	Resistencia	kW 2

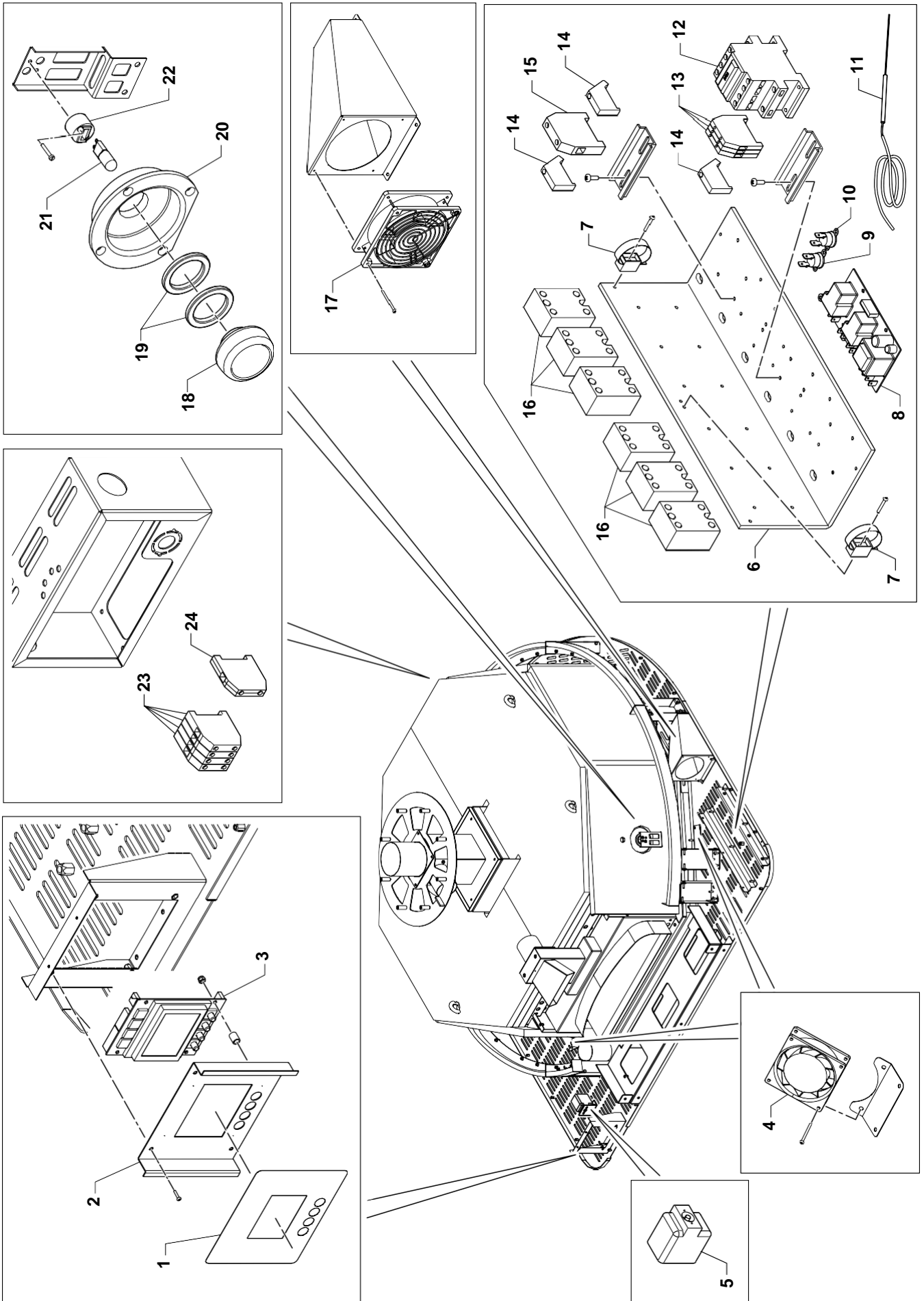


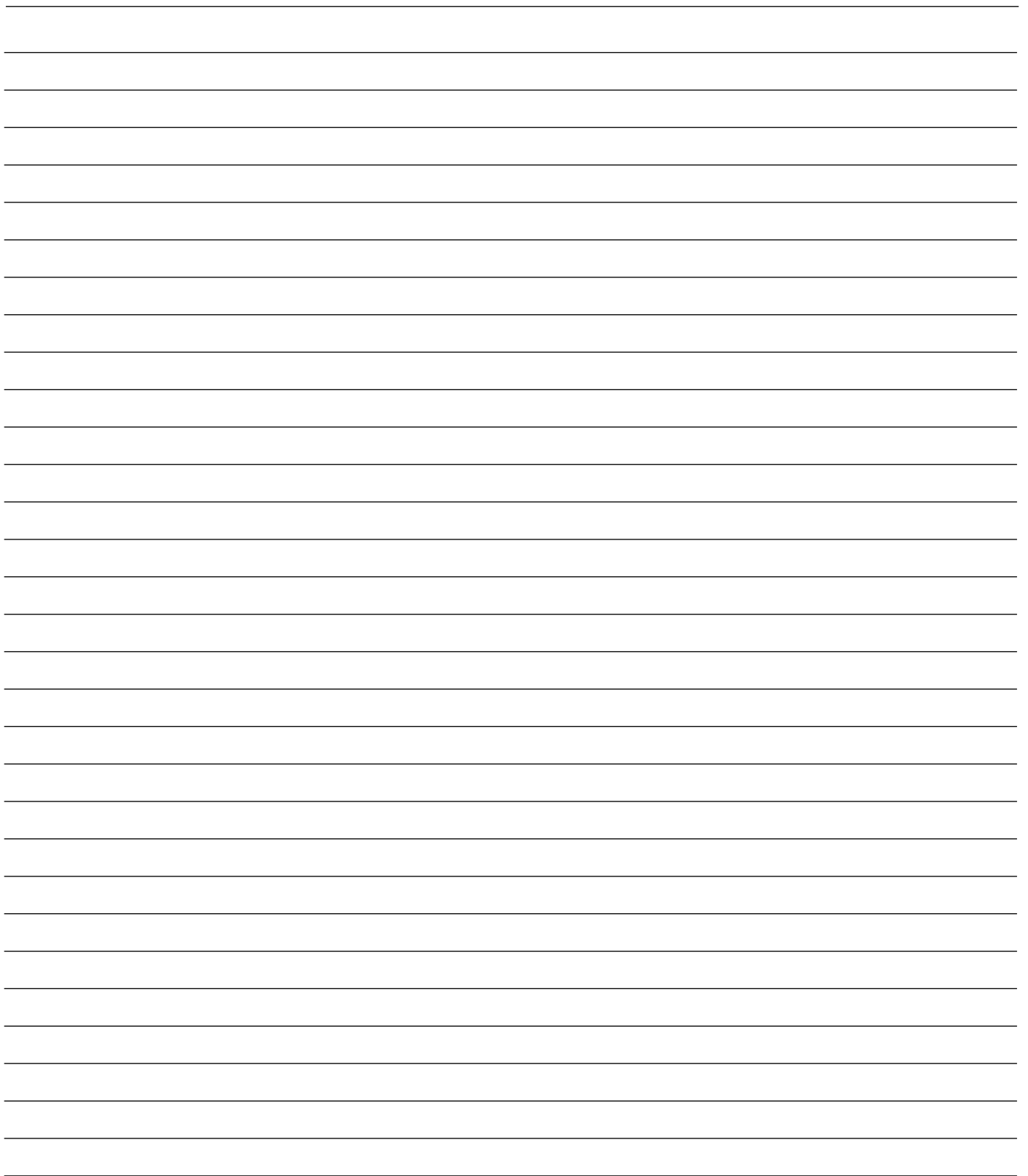
Pos.	Cod.	Q.tà	ITA	GB	F	D	E	NOTE
1	OM41.00176	1	Targa	Plate	Plaque	Platte	Placa	
2	OM10.03962	1	Supporto	Support	Support	Halterung	Soporte	
3	OMHE23900	1	Scheda display	Dispaly	Afficher	Anzeige	Dispaly	
4	OMES39200	1	Ventola	Blower	Sufflerie	Geblaese	Pantalla	230V
5	OM55.00125	1	Termostato sicura	Thermostat	Thermostat	Thermostat	Termostato	
6	OM10.03654	1	Supporto	Support	Support	Halterung	Soporte	
7	OM54.00044	3	Serracavo	Strap	Collier	Halteband	Abrazadera	
8	OM21.00028	1	Scheda potenza	Circuit	Circuit	Strecke	Circuito	
9	OMED06400	1	Termostato	Thermostat	Thermostat	Thermostat	Termostato	220V
10	OM55.00155	1	Termostato	Thermostat	Thermostat	Thermostat	Termostato	220V / 60°-70°C
11	OMED.10500	1	Sonda temperatura	Temperature probe	Sonde de temp.	Temperaturfühler	Sondadetemperatura	
12	OMEN08300	1	Contatore	Contactore	Contapteur	Contactore	Contactore	25A
13	OMEPE00200	3	Morsetto	Terminal	Borne	Klemme	Terminal	
14	OMEPE00400	3	Ferma morsetto	Retainer	Areeêt	Feststellung	Retén	
15	OMEPE07600	1	Morsetto	Terminal	Borne	Klemme	Terminal	
16	OM55.00153	6	Relè statico	Relay	Rele'	Relais	Rele'	
17	OMES39100	1	Ventola	Blower	Sufflerie	Geblaese	Pantalla	220V
18	OMAL4800	2	Vetro	Glass	Verre	Glas	Vidrio	
19	OM52.00221	4	Guarnizione	Gasket	Joint	Dichtung	Junta	
20	OMQAT2200	2	Parabola luce	Light reflector	Reflecteur	Lamp Parabel	Parabola lampara	
21	OMEL07400	2	Lampada alogena	Bulb	Lampe	Lampe	Lampara	40W
22	OM55.00117	2	Porta lampada	Bulb holder	Porte-lampe	Lampenfassung	Soporte lampara	
23	OMEPE00900	4	Morsetto	Terminal	Borne	Klemme	Terminal	
24	OMEPE07100	1	Morsetto terra	Terminal	Borne	Klemme	Terminal	

FIG.9

Pannello elettrico
 Electrical panel - Panneau électrique
 Elektriske Anlage - Panel eléctrico









OEM ALI Group S.r.l. a Socio Unico
46012 BOZZOLO (MN) Italia

Viale Lombardia, 33
Tel.: +39 0376 - 910511
Fax: +39 0376 - 920754
www.oemali.com
info@oemali.com